

GRANOMAT

Disk mills





APPLICATIONS

The GRANOMAT JP disk mill is designed for the ultrafine grinding of numerous products. It is also described as a 'dissolving machine' and can be used for both wet and dry milling. The most varied of products can be produced, depending on the type of disk employed.



SOME EXAMPLES OF USE:

- for pastes: vegetables, fruit, meat, sesame seeds, peanuts, pigments, seaweed, soya beans, rice, ginger, and many others
- for powdering: corn, ginger, mustard seeds, almonds, carbon, talc, silica, cellulose, etc.
- for emulsifying fats and cosmetics
- for powdering or slurring hard materials such as eggshells, minerals, bone, metal oxides, zeolite, polyamide fluororesins, glass, pigments, medical materials, etc.
- for pre-crushing bone, wood chips or resin pellets
- for powdering mugworts, herbs, spices, tea leaves, chitosan, potassium sulphate, chlorella, nitric acid, etc.

USERS

- Food
- Cosmetics
- Chemical industry
- Pharmaceutical industry

ADVANTAGES

- Very precise milling process
- Adjustment of grinding unit during operation
- Wide variety of grinding disks
- Low-noise and low-vibration
- Very easy to clean
- Simple installation
- Available with optional cooling or heating systems

METHOD OF FUNCTION

The method of function is basically identical to that of the GRANOMAT GU 2600: the product is drawn through the grinding disk by centrifugal forces, whereby the static grinding disk is attached to the lid (stator) and the rapidly rotating disk is located below in the grinding housing. The distance between the grinding disks is adjusted by means of the laterally mounted handwheel according to the desired granulometry.

GRINDING DISKS GRANOMAT JP

PHoto	Type	Material	Granulometrie	Applications	Suitable for food and pharma
	E	Silicon carbide+ Alumina	10 µm – 3.000 µm	For making pastes of vegetables, fruits, meat, sesame seeds, peanuts, pigments, plaster, seaweeds, soya beans, rice, ginger, etc.	Yes (wet + dry)
	D	Diamond (plating)	100 µm – 3.000 µm	For powdering or slurring egg shells, minerals, bone, metal oxide, fossil shells, zeolite, polyamide fluororesins, etc.	No
	GA GC	GA: Alumina GC: Silicon carbide	Nano – 3.000 µm	For pulverizing corn, ginger, mustard seeds, almonds, carbon, talc, silica, cellulose etc. and for emulsifying grease, cosmetics, etc.	Yes (wet + dry)
	M	Ss 304	100 µm – 3.000 µm	For powdering or slurring medical materials, etc.	No
	new E	Silicon carbide+ Alumina	Nano – 3.000 µm	For pigments, dyes, lubricants, cosmetic ingredients, ointments, etc.	No
	FC	Fine ceramic	10 µm – 3.000 µm	For powdering or slurring glass, minerals, medical materials, plaster, pigments, antimony trisulphide, ink lead, calcium hydroxide	No
	FCW	Fine ceramic, white	10 µm – 3.000 µm	For powdering or slurring white materials, including cosmetics, pigments and drinks	No
	B	BA: Alumina BC: Silicon carbide		For powdering mugworts, herbs, spices, minerals, powder tea leaves, chitosan, potassium sulphate, chlorella, etc.	Yes, for dry milling

STANDARD VARIANTS

GRANOMAT JP 150



Power (standard)	1,5 kW
Power (min./max.)	1,5/3,7 kW
Disk diameter	DN 150
Throughput (wet)	30-100 kg/h
Throughput (dry)	1-30 kg/h
Max. size of prod. inflow	10 mm
Target granulometry	10 bis 3000 µm
Cooling/heating possible ¹⁾	Yes
Mobile version available	Yes
Approx. dimensions	d350 x H650 mm
Approx. weight	60 kg

¹⁾Without cooling / heating unit

GRANOMAT JP 250



Power (standard)	15 kW
Power (min./max.)	11/30 kW
Disk diameter	DN 250
Throughput (wet)	70-1000 kg/h
Throughput (dry)	30-300 kg/h
Max. size of prod. inflow	30 mm
Target granulometry	10 bis 3000 µm
Cooling/heating possible ¹⁾	Yes
Mobile version available	Yes
Approx. dimensions	d600 x H1305 mm
Approx. weight	250 kg

¹⁾Without cooling / heating unit

GRANOMAT JP 360



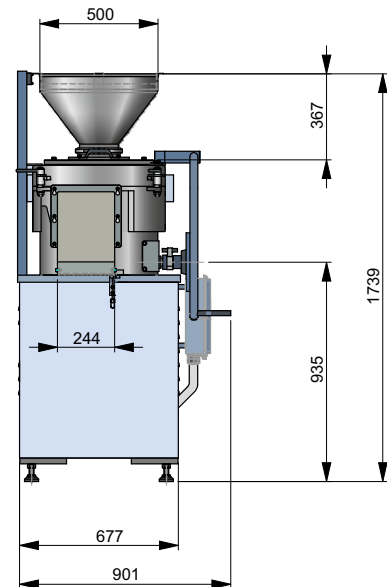
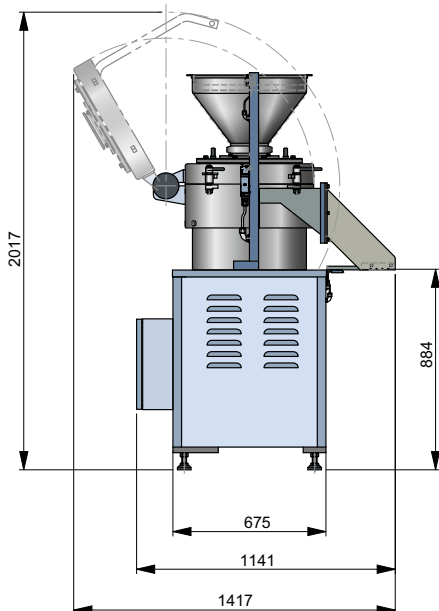
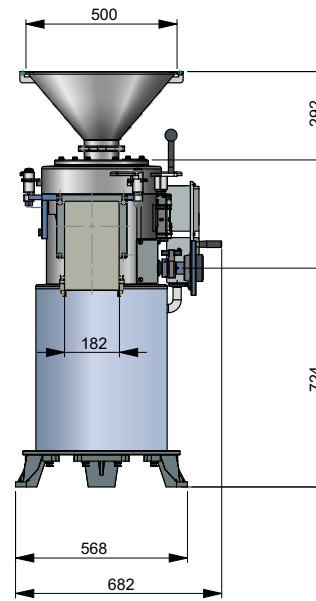
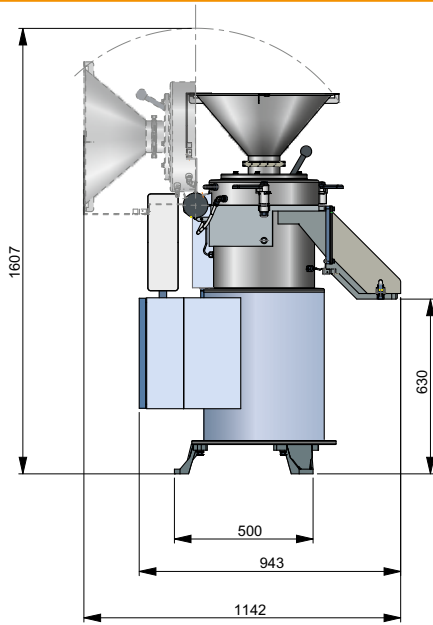
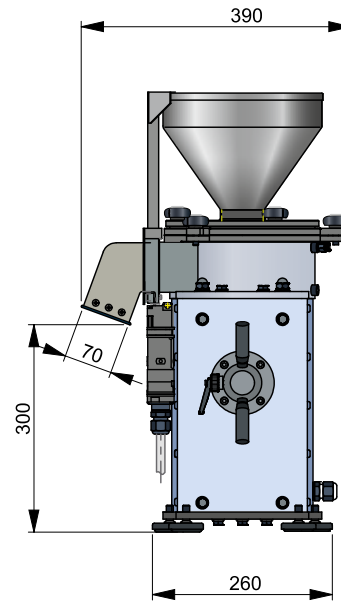
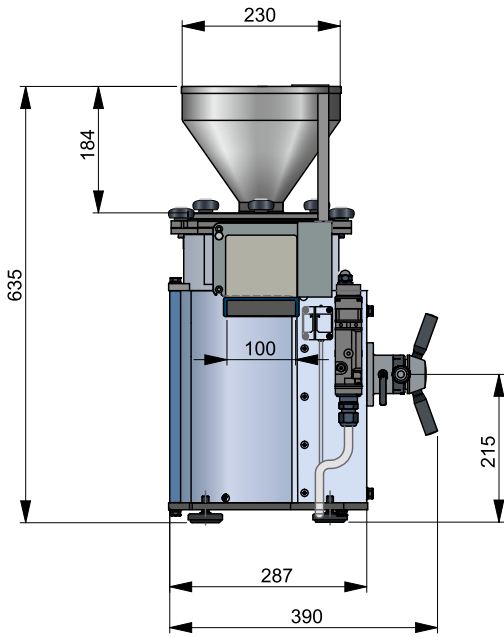
Power (standard)	30 kW
Power (min./max.)	15/75 kW
Disk diameter	DN 360
Throughput (wet)	300-3000 kg/h
Throughput (dry)	300-1000 kg/h
Max. size of prod. inflow	50 mm
Target granulometry	10 bis 3000 µm
Cooling/heating possible ¹⁾	Yes
Mobile version available	No
Approx. dimensions	780/850 x 1685 mm
Approx. weight	650 kg

¹⁾Without cooling / heating unit

GRANOMAT JP

Disk mills (fine grinding)

DIMENSIONS





FUCHS Maschinen AG

Englisberg 17
CH-1763 Granges-Paccot, Schweiz

Telefon +41 26 510 10 00
Fax +41 26 510 10 09
info@fuchsag.com

www.fuchsag.com