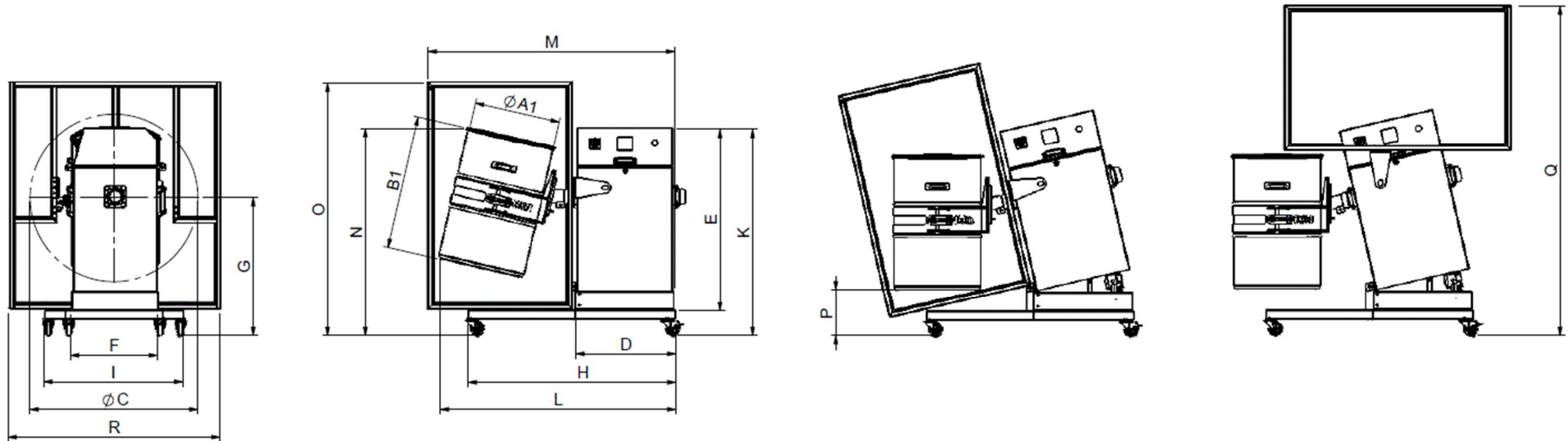


Dimensions MIXOMAT C-SE – Tilting drum blender Mobile execution



Type	Ø A1	B1	Ø C	D	E	F	G	H	I	K	L	M	N	O	P	Q	R
C-SE 50/-	400	455	780	535	892	420	724	1000	910	1042	1222	1300	1011	1194	290	1671	960
C-SE 100/-	450	665	845	535	892	420	724	1000	910	1042	1264	1327	1115	1298	290	1718	1025
C-SE 150/-	560	665	892	647	1194	570	905	1360	910	1356	1508	1615	1361	1658	303	2161	1390
C-SE 200/-	560	780	1100	647	1194	570	905	1360	910	1356	1526	1615	1361	1658	303	2161	1390

Explanations:

- Dimensions in mm
- Drum holders are provided in different executions. They may as well be adapted to customers drums.
- The number indicated in the type stands for the volume of the container
- Drum blender and safety guard may be customized according to customers requirements.