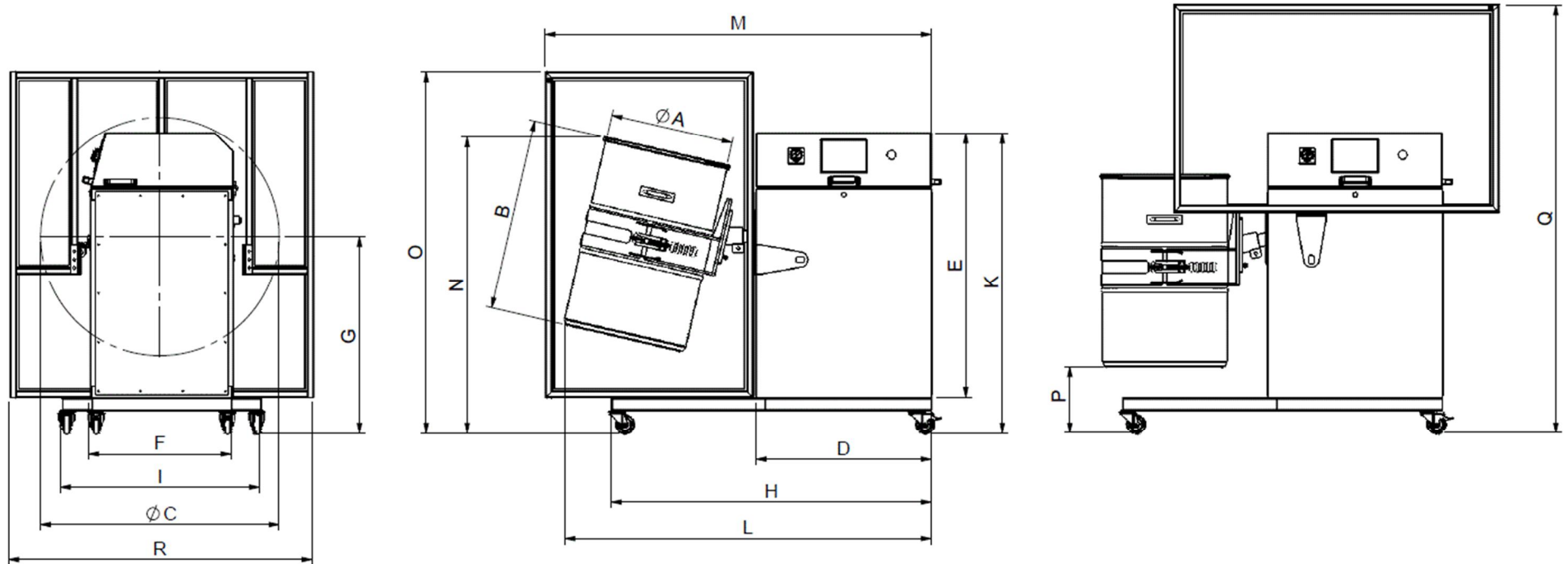


Dimensions MI XOMAT C-HE – Tilting drum blender Mobile execution



Type	Ø A	B	Ø C	D	E	F	G	H	I	K	L	M	N	O	P	Q	R
C-HE 150/-	560	665	892	800	1208	650	898	1463	910	1371	1675	1765	1172	1652	301	1956	1386
C-HE 200/-	560	780	1100	800	1208	650	898	1463	910	1371	1675	1765	1353	1652	301	1956	1386

Explanations:

- Dimensions in mm
- Drum holders are provided in different executions. They may as well be adapted to customers drums.

- The number indicated in the type stands for the volume of the container
- Drum blender and safety guard may be customized according to customers requirements.