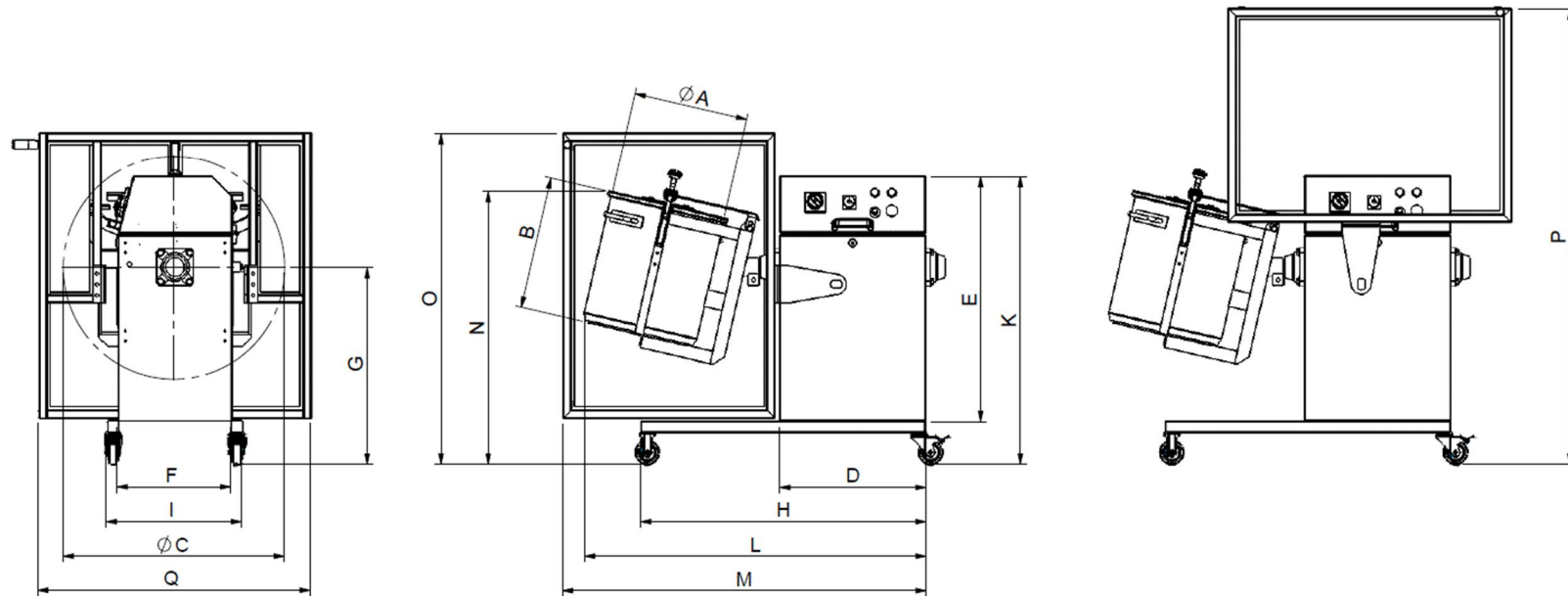


## Dimensions Drum blender MI XOMAT B Mobile execution



Type	Ø A1	B1	Ø C	D	E	F	G	H	I	K	L	M	N	O	P	Q
B 50/-	400	455	780	515	856	400	690	1000	476	1006	1202	1280	953	1158	1593	960
B 100/-	450	665	845	515	856	400	690	1000	476	1006	1277	1307	1057	1262	1640	1025
B 150/-	560	665	892	627	1118	570	817	1500	630	1288	1557	1587	1677	1906	2085	1280
B 200/-	560	780	1100	627	1118	570	817	1500	630	1288	1581	1611	1701	1906	2085	1280

### Explanations:

- Dimensions in mm
- The number indicated in the type stands for the volume of the container
- Drum holders are provided in different executions. They may as well be adapted to customers drums
- Drum blender and safety guard may be customized according to customers requirements