



MIXOMAT C

Tilting drum blenders for 100 to 400 litres drums



* optional

MIXOMAT C-SE

Housing

MIXOMAT C type drum blenders are available in two electrically tilting versions:

MIXOMAT C-SE:

Economic version with tilting housing, suitable for most applications.
This version isn't suitable for clean-room applications.

- ✓ Double-sided version also available

MIXOMAT C-HE (see p. 30ff):

High-End version for clean rooms or for highest possible performance with tilting sealed shaft and closed housing. Only one-sided version possible.

- ✓ Standard containers of 100 to 400 litres available (with C-HE type 150 to 400 litres)

Electrically tilting C-SE type MIXOMAT



MIXOMAT C-SE housing, one-sided



MIXOMAT C-SE housing, double-sided

One-sided MIXOMAT C-SE execution

- ✓ Standard stainless steel St. 1.4301 housing (ground finish, grain size 320)
- ✓ Shaft with ball-bearings, sealed bearing housing
- ✓ Chain transmission
- ✓ Available as one- or double-sided blender (second non-tilting side for containers of less than 25 l)
- ✓ Version mounted on wheels available (C-SE1 and C-SE2)
- ✓ ATEX version available for zone 2/22 or 1/21
- ✓ Siemens S7-1200 control unit with integrated 4" colour touch-screen

Double-sided MIXOMAT C-SE execution

- ✓ The blender may also be fitted with a second holder
- ✓ Being only tiltable on one side, the second holder should rather be used for containers with a maximum capacity of 25 litres

Sizes as follows:

Type	Containers	Power [kW]	Max. working load [kg]	Art. number
C-SE1	100	0,55	100 kg	M-CSE1-0450
C-SE2	> 100 – 200	0,75	200 kg	M-CSE2-0450
C-SE3	> 200 – 400	1,5	400 kg	M-CSE3-0450

Mobile Execution

Size 1 and 2 MIXOMAT blenders can also be supplied on wheels.

They are placed on an underframe fitted with levelling feet or rollers with brakes (2 fixed and 2 swivelling).



MIXOMAT C-SE on wheels

Following standard executions are available:

Housing	Execution	Art. number
C-SE1	Swivelling rollers	M-CSE1-2042
C-SE1	Levelling feet	M-CSE1-2043
C-SE2	Swivelling rollers	M-CSE2-2042
C-SE2	Levelling feet	M-CSE2-2043
C-HE2	Swivelling rollers	M-CHE2-2042
C-HE2	Levelling feet	M-CHE2-2043

MIXOMAT C-SE Safety Devices

To prevent accidents FUCHS advises its customers to install safety devices such as metal or photoelectric barriers equipped with safety switches.

These safety switches are connected to the control unit by means of two terminals (only one being used with one-sided blenders). Protection cages may also be supplied by FUCHS.



SATECH Safety cage

Safety cage for C-SE type MIXOMAT blender (stationary execution)

Features of standard executions for stationary units:

- ✓ Access to blending containers through two swing doors
- ✓ Magnetic safety limit switch
- ✓ Easy to install
- ✓ PMMA planking, frame in stainless steel St. 1.4301

Following standard executions are available:

Housing	Dimensions [mm]	Type	Art. number
C-SE1	880x1280x2030	SB1SS	M-B1-0115
C-SE2	1030x1560x2030	SB2SS	M-B2-0115
C-SE3	1230x1630x2030	SB3SS	M-B3-0115

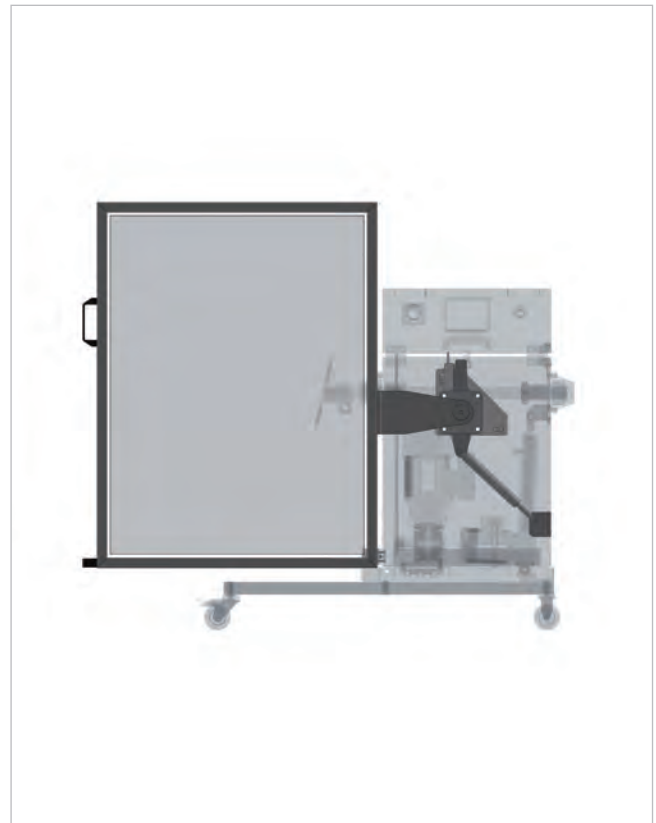
Tilting protection cages for C-SE type MIXOMAT blenders (mobile executions)

Features of standard executions for mobile units:

- ✓ Access to blending containers through two upwards swing doors
- ✓ Magnetic safety limit switch
- ✓ Compact execution
- ✓ Easy opening and closing thanks to gas spring support
- ✓ PMMA planking, stainless steel frame



Tilting protection cage



Mobile MIXOMAT C-SE with safety cage

Following standard executions are available:

Housing	For containers up to	Type	Art. number
C-SE1	50 l	SMB1SS	M-B1-0125
C-SE1	120 l	SMB1CS	M-B1-0130
C-SE2/C-HE2	220 l	SMB2SS	M-B2-0125

Container holders for C-SE type MIXOMAT blenders

Following standard container holders are available:

HRK type half collar holder



HRK 100 type holder

The holder is very easy to use. Safe holding is guaranteed by one quick-action clamping fastener (for 300 and 400 l containers: two) with a special safety locking system preventing any undesired opening of the fastener.

Holder in glass pearl blasted stainless steel St.1.4301.

Following HRK type holders are available for the containers listed below:

V [l]	d [mm]	H [mm]	Type	Art. number
100	450	665	HRK 100	M-C-0366
150	560	665	HRK 150	M-C-0372
200	560	870	HRK 200	M-C-0375
300	770	799	HRK 300	M-C-0381
400	770	997	HRK 400	M-C-0384

SPK type Spanset belt holder



SPK type holder

The container is held on the holder by means of two SpanSet belts. This very price worthy holder is used when only a few daily or weekly blendings have to be carried out. The SpanSet belts allow a great amount of drum diameter (-100 mm) and height (+30/-10 mm) tolerances.

They have been specially developed for the type of holder and are very easy to use.

Holder in glass pearl blasted stainless steel St.1.4301.

Following SPK type holders are available for the containers listed below:

V [l]	d [mm]	H [mm]	Type	Art. number Stainless steel
100	450	665	SP 100	M-C-0566
150	560	665	SP 150	M-C-0572
200	560	870	SP 200	M-C-0575

**BV type holder
(Bügelverschluss, opposite side)**

Container placed on the holder base. Hose clamp simply swung down onto the holder and clamped with the quick-action clamping fastener. Adjustable stamp in the middle of the clamp to press onto the container cover and to fine adjust the container height.

Customised container holders available. BV type holders are available in galvanized carbon or stainless steel.

The standard BV type container holders are listed on page 16.



BV type holder, second side

Adapter for smaller drums to be installed on standard holders

Basically it is possible to install on the same drum holder drums of the same or smaller diameter.

Therefore we propose an adapting system. It consists on a construction mainly manufactured from polypropylene and can be clipped easily on the holder.

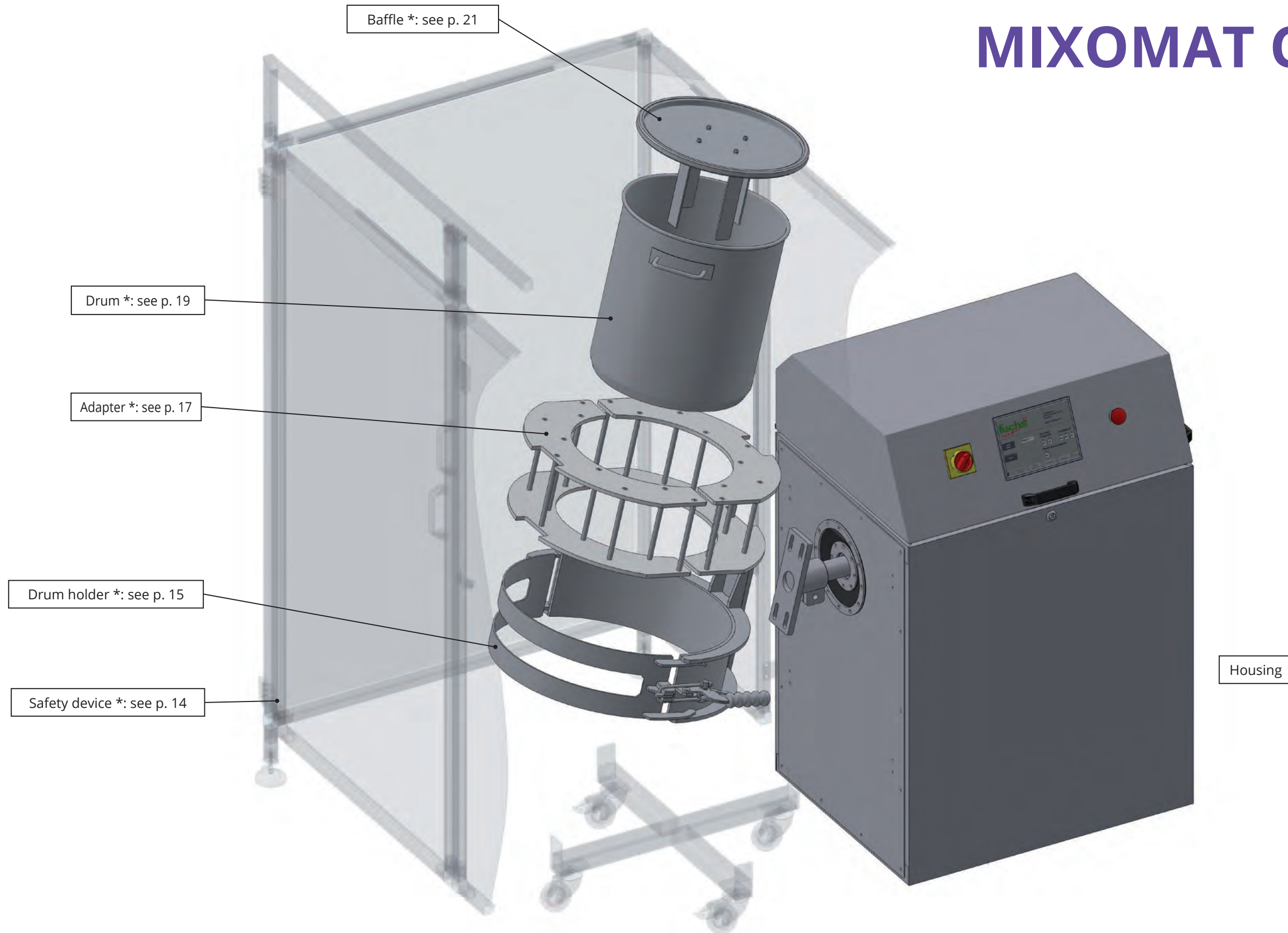


Adapter for HRK type holder

Adapter sizes

HRK type holder	Container [l]	HRK type	Art. number HRK
100	50	AD100/50HRK	M-B-2538
150	100	AD150/100HRK	M-B-2596
200	100	AD200/100HRK	M-B-2594
200	50	AD200/50HRK	M-B-2606
400	200	AD400/200HRK	M-B-2670
400	120	AD400/120HRK	M-B-2674
400	90	AD400/90HRK	M-B-2682
400	30	AD400/30HRK	M-B-2694

MIXOMAT C-HE



* optional

Housing / Electrically tilting C-HE type MIXOMAT blender



MIXOMAT C-HE housing

Execution

- ✓ Stainless steel St.1.4301 housing (ground finish, grain size 320)
- ✓ Shaft with ball-bearings, sealed bearing housing
- ✓ Drive with worm geared motor
- ✓ Electrical vertical movement with linear drive
- ✓ ATEX version available for zone 2/22 or 1/21
- ✓ Version mounted on wheels available (C-HE2)
- ✓ Siemens S7-1200 control unit with integrated 7" colour touch-screen
- ✓ Controller languages: English, German, French, Spanish and Dutch, others on request

Sizes as follows:

Type	Containers [l]	Max. power [kW]	Max. working load [kg]	Art. number
C-HE2	> 150 – 200	1,5	200	M-C-HE2-0450
C-HE3	> 200 – 400	2,2	400	M-C-HE3-0450

MIXOMAT C-HE Safety Device

To prevent accidents FUCHS advises its customers to install safety devices such as metal or photoelectric barriers equipped with safety switches to be connected to the control unit or to a similar device fitted with safety switches.

These safety switches are connected to the control unit by means of two terminals (only one being used with one-sided blenders). Protection cages may also be supplied by FUCHS.



Safety cage

Safety cage for C-HE type MIXOMAT blenders (stationary execution)

Features of standard executions for stationary units:

- ✓ Access to blending containers through two swing doors
- ✓ Magnetic safety limit switch
- ✓ Easy to install
- ✓ PMMA planking, frame in stainless steel St. 1.4301

Following standard executions are available:

Housing	Dimensions [mm]	Type	Art. number
C-SE1	880x1280x2030	SB1SS	M-B1-0115
C-SE2/C-HE2	1030x1560x2030	SB2SS	M-B2-0115
C-SE3/C-HE3	1230x1630x2030	SB3SS	M-B3-0115

Container holders for C-HE type MIXOMAT blenders

Following standard container holders are available:

HRK type half collar holder



HRK 100 type holder

The holder is very easy to use. Safe holding is guaranteed by one quick-action clamping fastener (for 300 and 400 l containers: two) with a special safety locking system preventing any undesired opening of the fastener.

Holder in glass pearl blasted stainless steel St.1.4301.

Following HRK type holders are available for the containers listed below:

V [l]	d [mm]	H [mm]	Type	Art. number
100	450	665	HRK 100	M-C-0366
150	560	665	HRK 150	M-C-0372
200	560	870	HRK 200	M-C-0375
300	770	799	HRK 300	M-C-0381
400	770	997	HRK 400	M-C-0384

SPK type Spanset belt holder

SPK type holder

The container is held on the holder by means of two SpanSet belts. This very price worthy holder is used when only a few daily or weekly blendings have to be carried out. The SpanSet belts allow a great amount of drum diameter (-100 mm) and height (+30/-10 mm) tolerances.

SpanSet belts have been specially developed for this type of holder and are very easy to use

Holder in glass pearl blasted stainless steel St.1.4301.

Following SPK type holders are available for the containers listed below:

V [l]	d [mm]	H [mm]	Type	Art. number Stainless steel
100	450	665	SP 100	M-C-0566
150	560	665	SP 150	M-C-0572
200	560	870	SP 200	M-C-0575

Adapter for smaller drums to be installed on standard holders

Basically it is possible to install on the same drum holder drums of the same or smaller diameter.

Therefore we propose an adapting system. It consists on a construction mainly manufactured from polypropylene and can be clipped easily on the holder.



Adapter for HRK 100 type holder

Adapter sizes:

HRK type holder	Container [l]	HRK	Art. number HRK
100	50	AD100/50HRK	M-B-2538
150	100	AD150/100HRK	M-B-2596
200	100	AD200/100HRK	M-B-2594
200	50	AD200/50HRK	M-B-2606
400	200	AD400/200HRK	M-B-2670
400	120	AD400/120HRK	M-B-2674
400	90	AD400/90HRK	M-B-2682
400	30	AD400/30HRK	M-B-2694

Drum Trolley



DT type drum trolley



Option: higher version

Executions

- ✓ Stainless steel frame 1.4301 (polished, grain size 320)

comfortseries

- ✓ Stainless steel roller housing 1.4301
- ✓ Rollers made of dark grey polyurethane
- ✓ Rollers mounted on ball bearings
- ✓ Electrically conductive

ecoline

- ✓ Galvanised steel roller housing
- ✓ Rollers made of white PA
- ✓ Rollers mounted on slide bearings

Max. drum- \emptyset [mm]	Type	Art number comfortseries	Art. number ecoline	OPTION high version ≤ 250 mm	OPTION high version > 250 mm
450	DT 450	M-0-0440	M-0-0445	M-0-0405	M-0-0407
560	DT 560	M-0-0430	M-0-0435	M-0-0405	M-0-0407
770	DT 770	M-0-0420	M-0-0425	M-0-0405	M-0-0407

Containers

The following FUCHS containers are available as a standard:

Stainless steel containers



3 to 25 l stainless steel container: without beads, without handles, with cover and silicon seal.



30 to 200 l stainless steel container: with 2 reinforcement beads and 2 point welded handles, with cover and silicon seal.



300 to 400 l stainless steel container: with 2 reinforcement beads and base ring, cover with Perbutan seal and 5 galvanized steel clamping fasteners.

Execution:

✓ Stainless steel St.1.4301, bright as rolled finish (St.1.4435, electrolytic polish on request)

✓ Stainless steel St. 1.4401, bright as rolled finish

Plastic containers



0.5 to 2 l plastic container



3 to 26 l plastic container



30 to 220 l plastic container

Executions:

Three different types are available:

- ✓ 0.5-2 l PP, white
- ✓ 3-26 l ND-PE, white
- ✓ 30-220 l ND-PE, opaque, blue

Delivery:

Drum, cover (black), tension ring for tight closing, optional baffle fixed under the cover (for faster and better blending).

Container sizes for all MIXOMAT blenders

V [l]	Material	D [mm]	H [mm]	Art. number Container
0,5	PP	90	87	M-M-0035
1	PP	110	122	M-M-0037
2	PP	130	167	M-M-0039
3	ND-PE	200	175	M-A-0035
3	1.4301	180	140	M-A-0005
3	1.4404	180	140	M-A-0007
5	1.4301	180	200	M-A-0010
5	1.4404	180	200	M-A-0012
6	ND-PE	200	270	M-A-0037
10	1.4301	250	220	M-A-0015
10	1.4404	250	220	M-A-0017
14	ND-PE	275	330	M-A-0039
25	1.4301	315	330	M-A-0025
25	1.4404	315	330	M-A-0022
26	ND-PE	340	355	M-A-0041
30	ND-PE	300	520	M-B-0045
50	1.4301	400	455	M-B-0010
50	1.4404	400	455	M-B-0012
60	ND-PE	400	610	M-B-0050
90	ND-PE	475	650	M-B-0055
100	1.4301	450	665	M-B-0015
100	1.4404	450	665	M-B-0017
120	ND-PE	500	810	M-B-0060
150	1.4301	560	665	M-B-0020
150	1.4404	560	665	M-B-0022
200	1.4301	560	870	M-B-0025
200	1.4404	560	870	M-B-0027
220	ND-PE	580	1030	M-B-0065
300	1.4301	770	799	M-B-0030
300	1.4404	770	799	M-B-0032
400	1.4301	770	997	M-B-0035
400	1.4404	770	997	M-B-0037

Baffles for various containers




Two-armed baffles for 3 to 25 l containers



Four-armed baffles for 30 to 400 l containers

Baffles

Container V [l]	Art. number 1.4301	Art. number 1.4404
3, 5, 6	M-A-0051	M-A-0151
10, 14	M-A-0052	M-A-0152
25, 26	M-A-0054	M-A-0154
30, 50, 60	M-B-0080	M-B-0081
90, 100, 120	M-B-0082	M-B-0083
150, 200, 220	M-B-0084	M-B-0085
300, 400	M-B-0086	M-B-0087



Issue Date: 2018-03

FUCHS Maschinen AG
Englisberg 17
1763 Granges-Paccot (Switzerland)
Phone: +41 26 510 10 00
info@fuchsag.com
www.fuchsag.com