

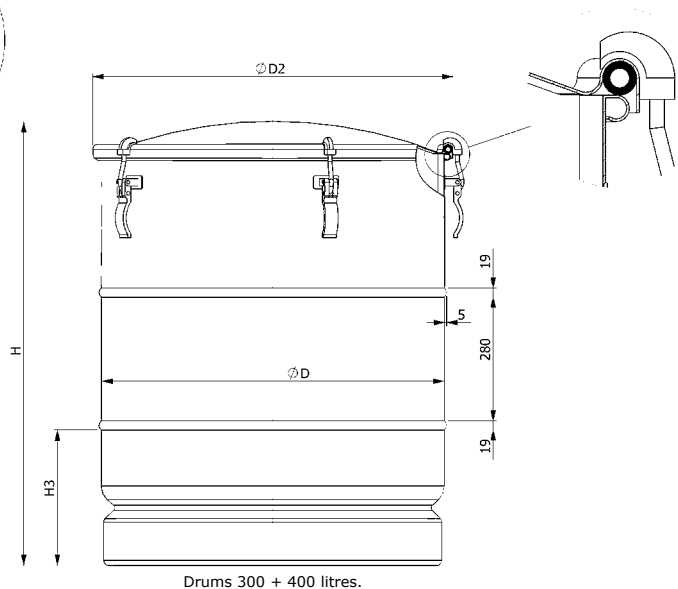
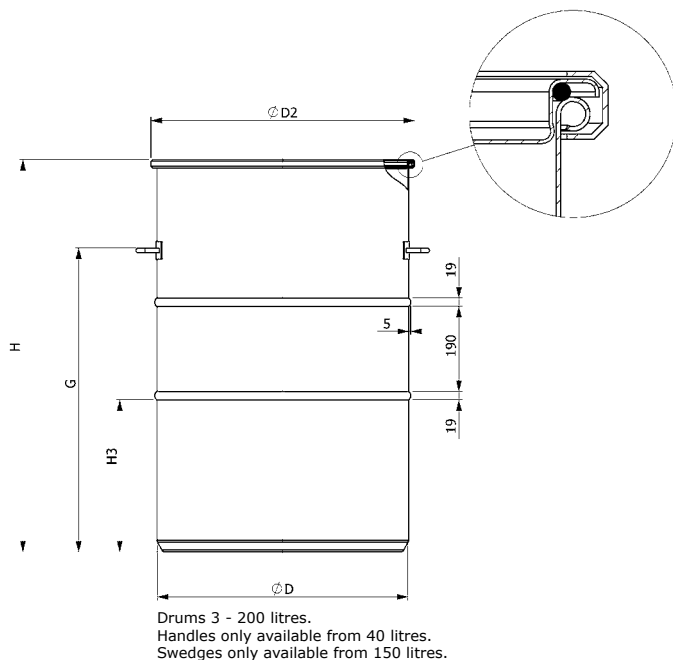
// STAINLESS STEEL DRUMS WITH FLAT BOTTOM, stackable

Equipment:

- including lid, silicon seal and clamping ring 1.4301 (optional: 1.4435)
- handle (50 - 200 litres)
- with 2 reinforcement beads (150 - 400 l)

Surface:

- rolled bright steel/2B (optional: ground finish or electropolished)



Material	Litres	H	D (internal diameter)	D2	G	H3	Thickness	Article no.
1.4301	3	140	180	210	-	-	1,25	M-A-0005
1.4301	5	205	180	210	-	-	1,25	M-A-0010
1.4301	10	225	250	280	-	-	1,25	M-A-0015
1.4301	20	285	315	345	-	-	1,25	M-A-0020
1.4301	25	335	315	345	-	-	1,25	M-A-0025
1.4301	30	405	315	345	270	-	1,25	M-B-0005
1.4301	50	460	400	430	330	-	1,25	M-B-0010
1.4301	100	670	450	480	545	-	1,25	M-B-0015
1.4301	150	670	560	590	515	218,5	1,25	M-B-0020
1.4301	200	875	560	590	680	326	1,25	M-B-0025
1.4301	300	797	770	808	-	215	1,5	M-B-0030
1.4301	400	997	770	808	-	304	1,5	M-B-0035

Please note: from 300 litres convex lid with clamps.