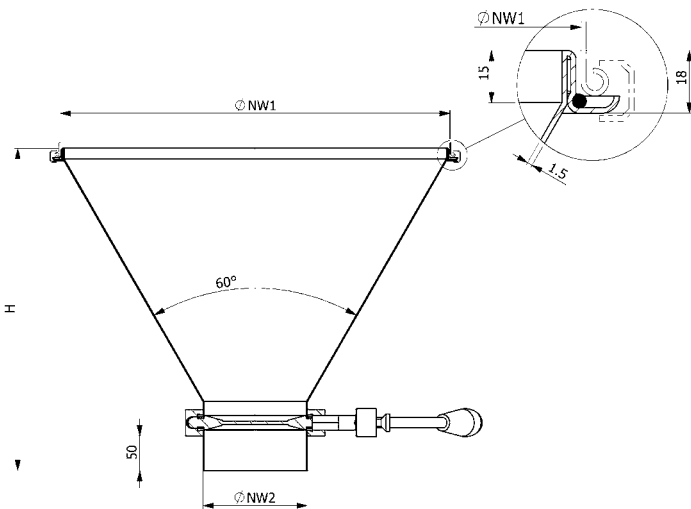


## // DRUM HOPPER SYMMETRICAL, without valve

- Material thickness: 1,5 mm
- Default angle: 60°
- Material: stainless steel 4VA
- Surface: rolled bright steel/2B (optional: ground or electro-polished)



Ø NW1	Ø NW2	H	Article no.
400	100	368	M-B-0110
450	100	412	M-B-0120
500	100	455	M-B-0130
560	100	507	M-B-0140
450	150	368	M-B-0150
500	150	412	M-B-0160
560	150	464	M-B-0170
500	200	368	M-B-0180
560	200	420	M-B-0190

## // HANDLES

- From 30 litres, 2 handles are welded
- Standard version: handle on plate sanitary welded on the drum jacket
- Different handle options on request



## // DRUM TROLLEYS

- Base made of 1.4301
- With 5 castor rollers (stainless steel housings, wheels Ø80 polyamide)  
2 of them with brake
- Central run-off holes Ø20 mm
- Surface: rolled bright steel/2B (optional: ground or electro-polished, ATEX version, rollers are also available in electrically conductive design)



Drum diameter	A	H	Article no.
450	460	102	M-00440
560	580	102	M-00430
770	580	102	M-00420

## // CO.RA.® BUTTERFLY VALVE SYSTEMS

- Material: stainless steel V4A/AISI 316L

Type designation	Article no.
WW DN 100	M-B-0710
WW DN 150	M-B-0720
WW DN 200	M-B-0730
WW DN 250	M-B-0740

